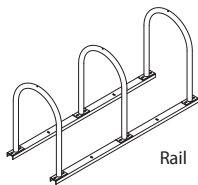
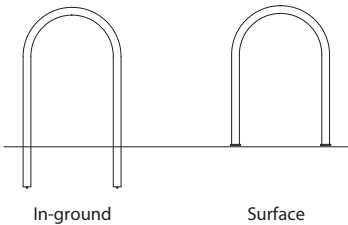
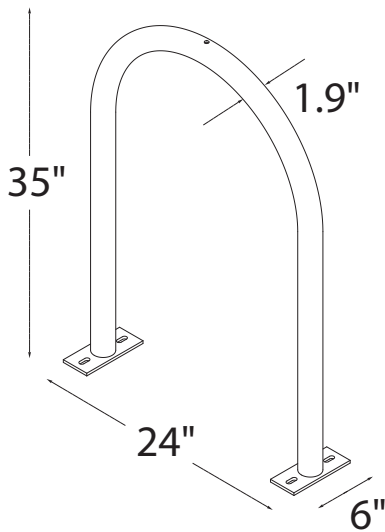


U-Bike Rack



CAPACITY 2 Bikes

- MATERIALS
- Standard
1.5" schedule 40 pipe (1.9" OD)
 - Lightweight
1.5" schedule 10 pipe (1.9" OD)

- FINISHES
- Galvanized
An after fabrication hot dipped galvanized finish is our standard option.
 - Powder Coat
Our powder coat finish assures a high level of adhesion and durability by following these steps:
 1. Sandblast
 2. Epoxy primer electrostatically applied
 3. Final thick TGIC polyester powder coat
 - Thermoplastic
In addition to an increased thickness (8-10mils), the thermoplastic finish covers a galvanized layer and offers superior impact resistance over powder coating.
 - PVC Dip (plastisol)
Other colors available by special order (minimum orders apply)
 - Stainless
Stainless Steel: 304 grade stainless steel material finished in either a high polished shine or a satin finish.

- MOUNT OPTIONS
- In-ground
In ground mount is embedded into concrete base. Specify in ground mount for this option.
 - Surface
Foot Mount has two 2.5"x6"x.25" feet with two anchors per foot. Specify foot mount for this option.
 - Rail
Rail Mounted Racks are bolted to two parallel rails which can be left freestanding or anchored to the ground. Rails are heavy duty 3"x1.4"x3/16" thick galvanized mounting rails. Specify rail mount for this option.



MAILBOXES, SIGNS & SITE AMENITIES

Phone: 1-855-537-0200

www.forsite.us

customerservice@forsite.us

P.O. Box 51402

Jacksonville, FL 32240