



MAILBOXES, SIGNS & SITE AMENITIES

Phone: 1-855-537-0200

[www.forsite.us](http://www.forsite.us)

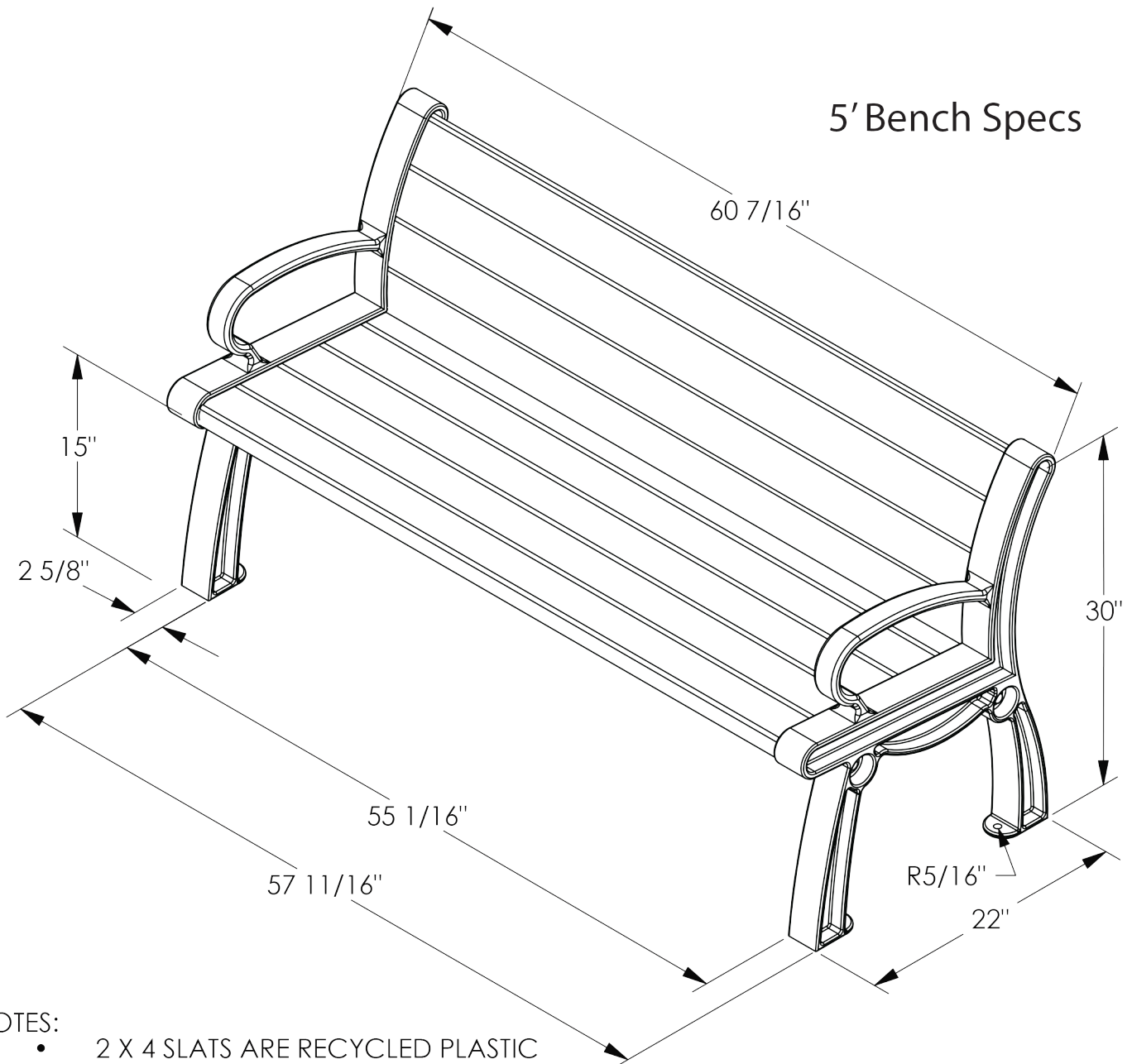
[customerservice@forsite.us](mailto:customerservice@forsite.us)

P.O. Box 51402

Jacksonville, FL 32240

## 5-Ft. Heritage Recycled Plastic Bench

Item #: 289-1127



### NOTES:

- 2 X 4 SLATS ARE RECYCLED PLASTIC
- BASES ARE ZINC PLATED
- ALL HOLES PRE-DRILLED
- ALL HARDWARE IS ZINC PLATED
- UNIT WEIGHT APPROX. 120 LBS.