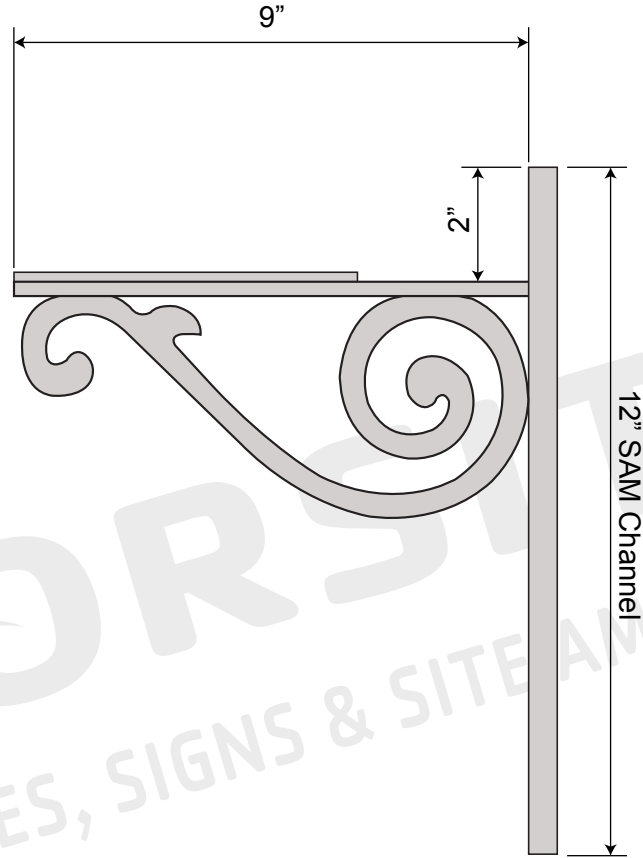


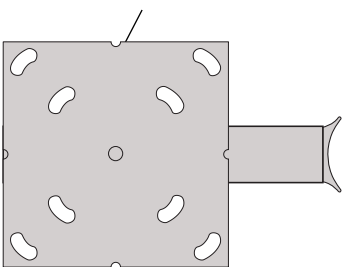
Baldwin Side Single Bracket

SIDE VIEW

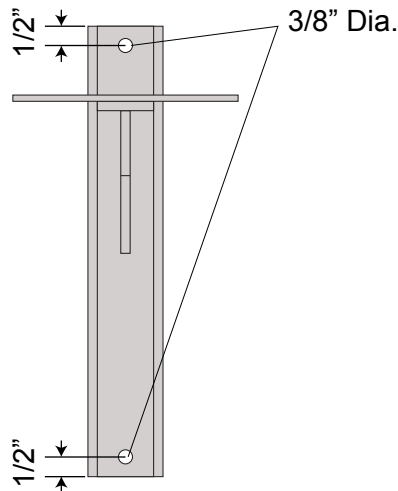


TOP VIEW

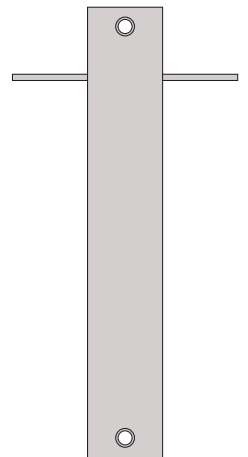
6" x 6" Mounting Plate



FRONT VIEW



BACK VIEW



FORSITE
 MAILBOXES, SIGNS & SITE AMENITIES
 Phone: 1-855-537-0200
 www.forsite.us
 customerservice@forsite.us
 P.O. Box 51402
 Jacksonville, FL 32240

DRAWING NUMBER: 23389-1C
CUSTOMER: N/A
PROJECT: N/A
DRAWING DATE: 11/06/2019
DRAWING DESCRIPTION:
 Baldwin Side Single Bracket

Forsite is not responsible for checking local municipal codes. Please verify specifications with your municipality before placing an order.

This document contains confidential and proprietary information that is the property of Forsite. It may not be shared, copied or used in whole or in part with third parties without the expressed written consent of Forsite.

FABRICATION TO BEGIN AFTER DRAWING HAS BEEN APPROVED, SIGNED THEN FAXED OR EMAILED TO FORSITE.

Signature: _____ **Date:** _____