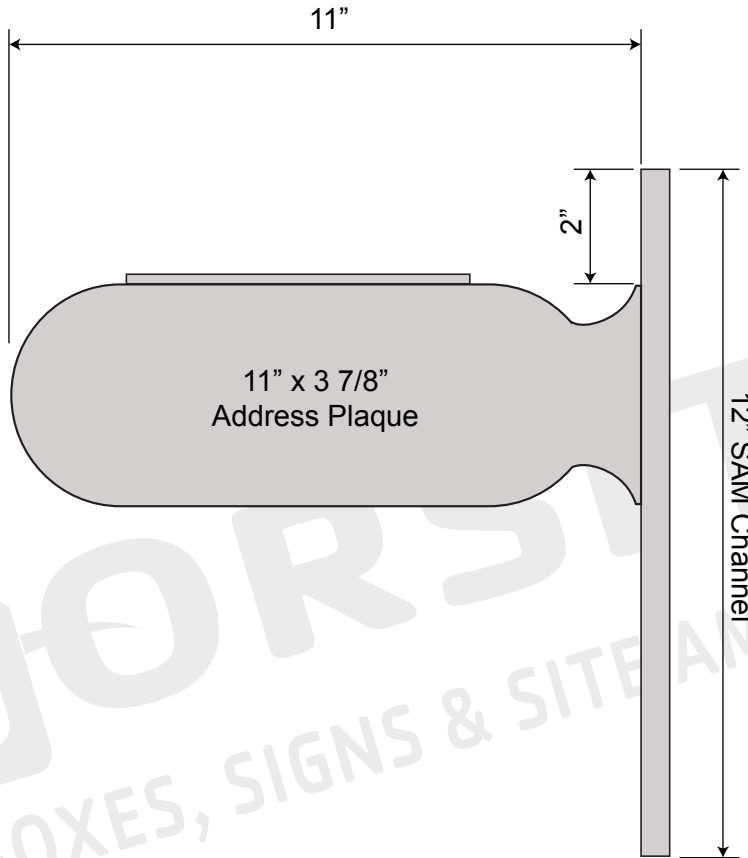
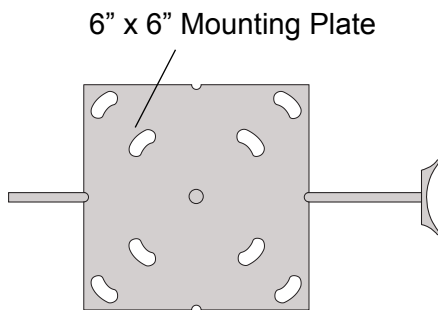


# Edgewater Side Single Bracket

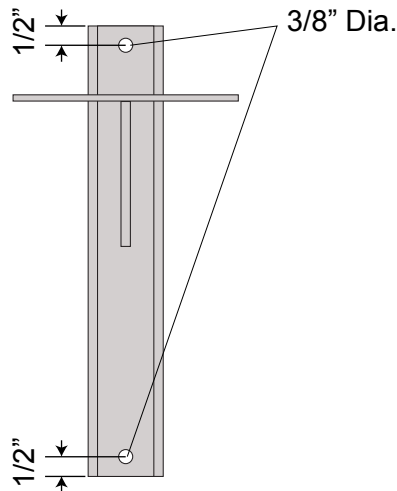
## SIDE VIEW



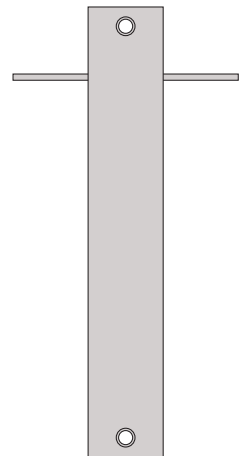
## TOP VIEW



## FRONT VIEW



## BACK VIEW



**FORSITE**  
MAILBOXES, SIGNS & SITE AMENITIES  
Phone: 1-855-537-0200  
www.forsite.us  
customerservice@forsite.us  
P.O. Box 51402  
Jacksonville, FL 32240

**DRAWING NUMBER:** 23393-1C

**CUSTOMER:** N/A

**PROJECT:** N/A

**DRAWING DATE:** 11/06/2019

**DRAWING DESCRIPTION:**

Edgewater Side Single Bracket

Forsite is not responsible for checking local municipal codes. Please verify specifications with your municipality before placing an order.

This document contains confidential and proprietary information that is the property of Forsite. It may not be shared, copied or used in whole or in part with third parties without the expressed written consent of Forsite.

**FABRICATION TO BEGIN AFTER DRAWING HAS BEEN APPROVED, SIGNED THEN FAXED OR EMAILED TO FORSITE.**

**Signature:** \_\_\_\_\_ **Date:** \_\_\_\_\_